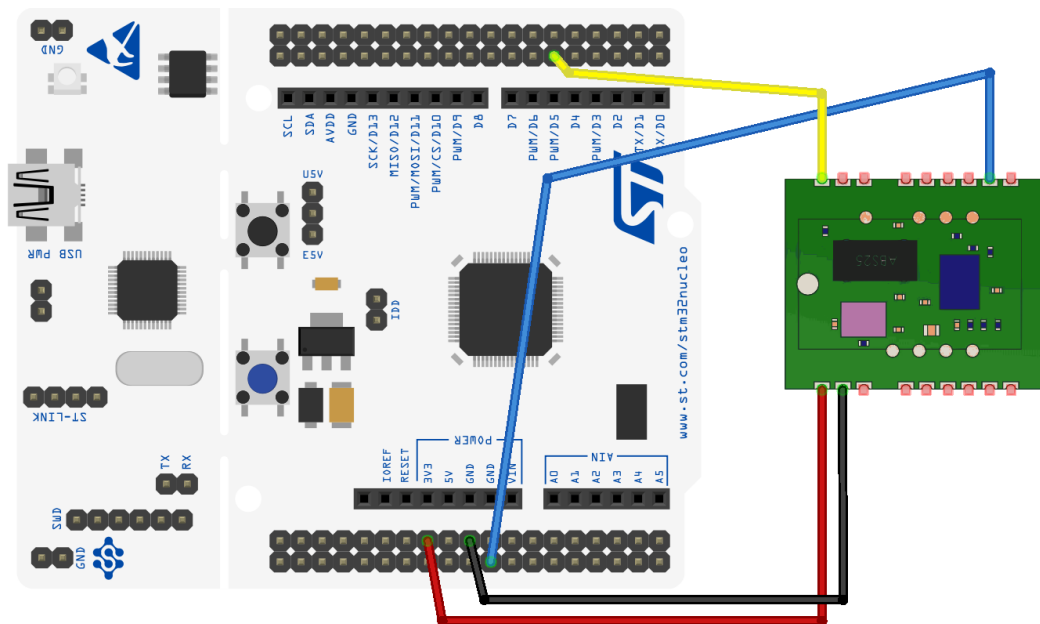


FSM300 Connection with Nucleo

Introduction

The purpose of this document is to describe how to connect the FSM300 to the Nucleo board. The FSM300 has four different modes; UART-RVC, UART-SHTP, I2C and SPI.

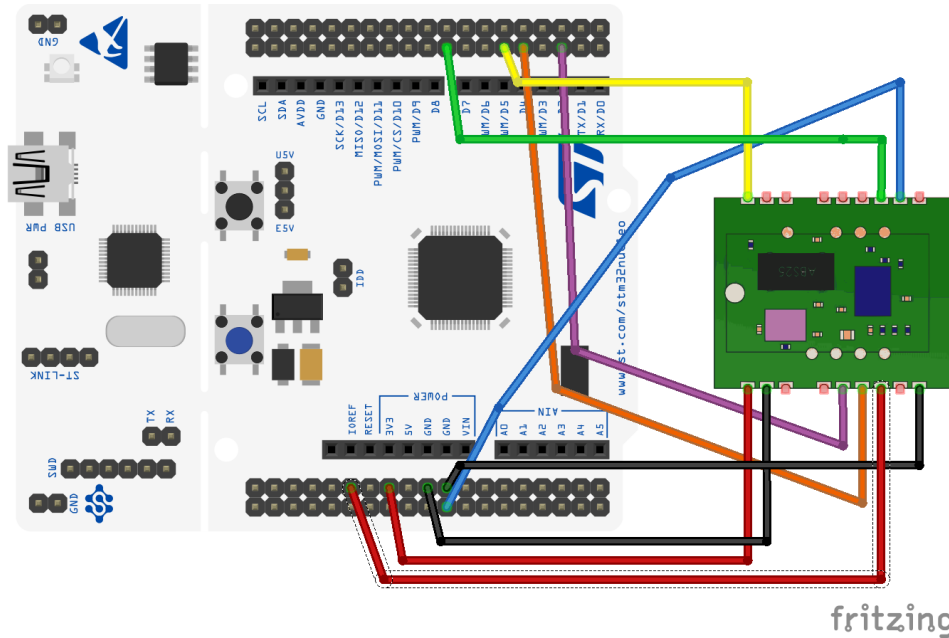
UART-RVC



fritzing

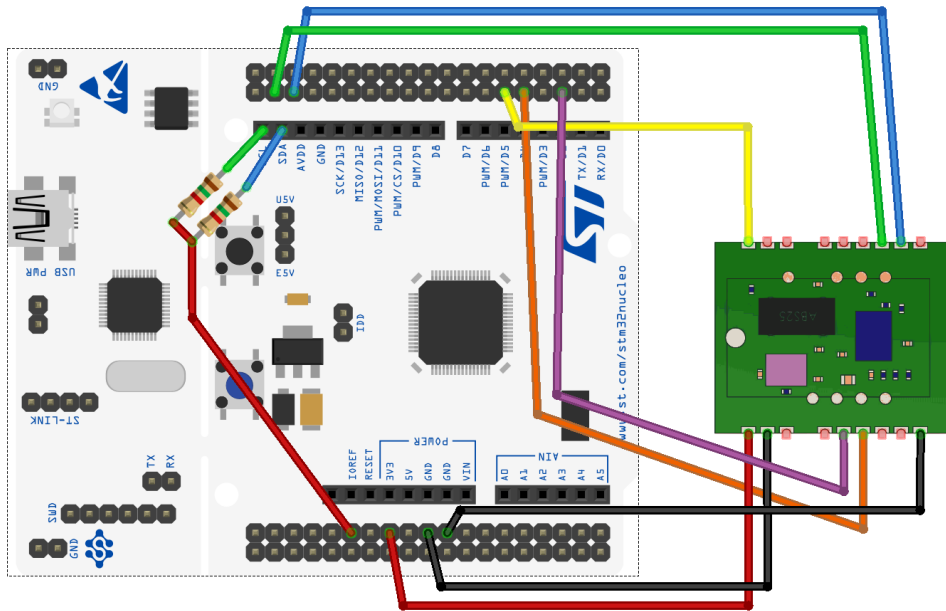
FSM30X	FSM30X Signal	Wire Color	Connect to Nucleo
Pin 1	VCC	RED	3V3 (CN7 pin 16)
Pin 2	GND	BLACK	GND (CN7 pin 20)
Pin 11	TXD	BLUE	PB7 (CN7 pin 21)
Pin 18	NRST	YELLOW	PB4 (CN10 pin 27)

UART-SHTP



FSM30X	FSM30X Signal	Wire Color	Connect to Nucleo
Pin 1	VCC	RED	3V3 (CN7 pin 16)
Pin 2	GND	BLACK	GND (CN7 pin 20)
Pin 5	INTN	PURPLE	PA10 (CN10 pin 33)
Pin 6	BOOTN	ORANGE	PB5 (CN10 pin 29)
Pin 7	PS1	RED	3V3 (CN7 pin 12)
Pin 9	PS0	BLACK	GND (CN7 pin 22)
Pin 11	TXD	BLUE	PB7 (CN7 pin 21)
Pin 12	RXD	GREEN	PA9 (CN10 pin 21)
Pin 18	NRST	YELLOW	PB4 (CN10 pin 27)

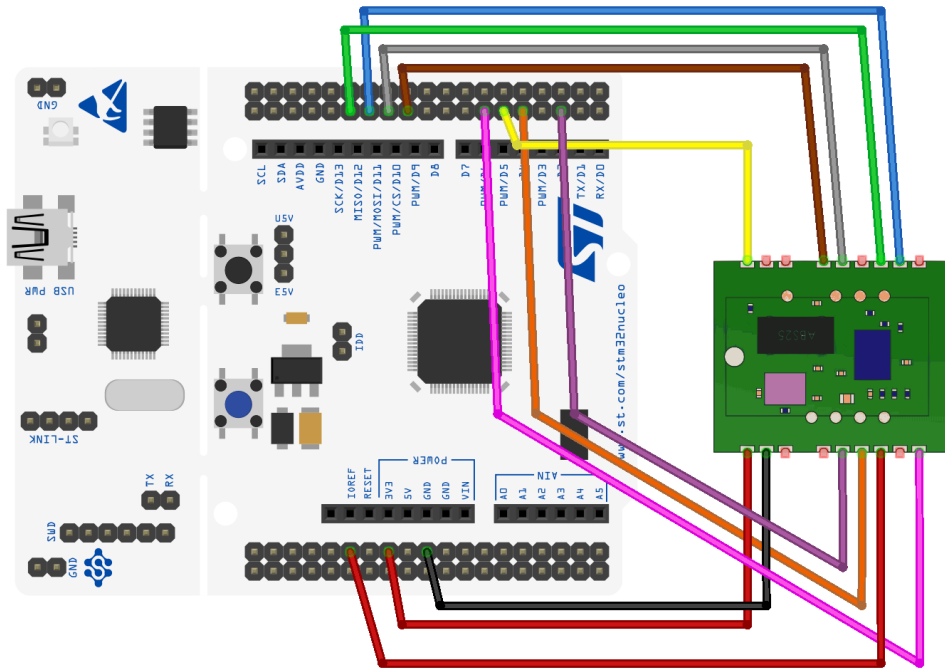
I2C



fritzing

FSM30X	FSM30X Signal	Wire Color	Connect to Nucleo
Pin 1	VCC	RED	3V3 (CN7 pin 16)
Pin 2	GND	BLACK	GND (CN7 pin 20)
Pin 5	INTN	PURPLE	PA10 (CN10 pin 33)
Pin 6	BOOTN	ORANGE	PB5 (CN10 pin 29)
Pin 9	PS0	BLACK	GND (CN7 pin 22)
Pin 11	SDA	BLUE	PB9 (CN10 pin 5) Add 1.5k ohm pull-up resistor
Pin 12	SCL	GREEN	PB8 (CN10 pin 3) Add 1.5k ohm pull-up resistor
Pin 18	NRST	YELLOW	PB4 (CN10 pin 27)

SPI



fritzing

FSM30X	FSM30X Signal	Wire Color	Connect to Nucleo
Pin 1	VCC	RED	3V3 (CN7 pin 16)
Pin 2	GND	BLACK	GND (CN7 pin 20)
Pin 5	INTN	PURPLE	PA10 (CN10 pin 33)
Pin 6	BOOTN	ORANGE	PB5 (CN10 pin 29)
Pin 7	PS1	RED	3V3 (CN7 pin 12)
Pin 9	WAKEN	PINK	PB10 (CN10 pin 25)
Pin 11	MISO	BLUE	PA6 (CN10 pin 13)
Pin 12	SCK	GREEN	PA5 (CN10 pin 11)
Pin 14	MOSI	GRAY	PA7 (CN10 pin 15)
Pin 15	CSN	BROWN	PB6 (CN10 pin 17)
Pin 18	NRST	YELLOW	PB4 (CN10 pin 27)